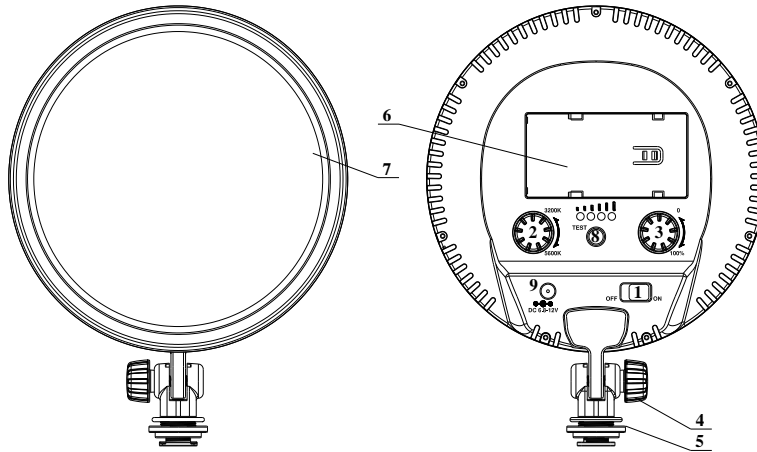


# PIXAPRO GLOWPAD 112CB LED Light PAD User Manual

## I Product Structure:

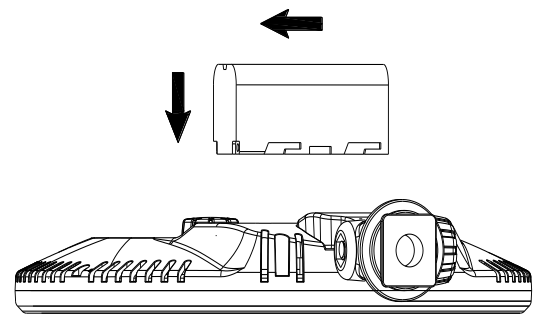


① Power switch	② Colour Temperature Controls	③ Dimmer Controls
④ Angle Adjustment Screw	⑤ Hot Shoe Mount	⑥ Battery Mounting Plate
⑦ LED Light Panel	⑧ Battery Test Button & Indicator	⑨ DC input

## II Method of Application

### 1. Power input (Two Power input mode, but not both use)

- a. **Battery input:** Compatible With Sony NP-F series Li-Ion Batteries  
 Tips: Mounting the lithium battery: Please Slide the battery in the direction of the arrows shown on the Battery Plate.  
 Disconnecting the lithium battery: Please slide battery out in the opposite direction, and then lift out.
- b. **DC adapter input:** 6.8V-12V DC mains power adapter.



**Attention: Do not use the battery and Mains DC power Adapter Simultaneously !**

### 2. LED Video Light Mounting Options

#### a. To Camera/Video Hot Shoe:

Mount the LED light onto your Stills or Video Camera's hot shoe, then tighten the nut.

#### b. To Light Stand/ Tripod:

There is a 1/4 inch thread in the bottom of the LED light hot shoe mount, which can be directly mounted onto a light stand or tripod.

### 3. Power Switch

Turn the power switch ① to "on", to switch on your Glowpad Led Light.

### 4. Dimmer Controls

Rotate the dimmer control dial ③ to adjust brightness 0-100%.

### 5. Colour Temperature Controls

Rotate the colour temperature Control Dial ② to adjust colour temperature between 3200-5600K.

### 6. Battery Power Test

First shut off the power, and then press battery test button ⑧, to show the power indication lights. When all of the power indication lights are lit, mean the battery power is full. If only one of the power indication lights are lit, it means that the battery power is low. If none of the Power Indicator lights are lit, this means that the battery needs to be recharged.

### III Product Specification

LED Quantity	112 LED bulbs	Colour Rendering Index	≥93%
Max Output	12W	Colour Temperature	3200-5600K
Size	205×162×28mm	Weight	270g

### IV Troubleshooting

Description	Cause	Trouble-shooting
Nothing happens when unit is switched on.	Low battery	Install a new battery or charge the batteries before use.
	Circuit board damaged	Send for repair
Inadequate or low luminance at the highest grade	Low battery	Install new battery or charge the batteries before use.
Battery power test Inaccurate when power switch is on, and Displays low battery when you increase the brightness, and Displays high battery when you lower brightness	Battery capacity shown indicated the length of time available for use in the current luminance; A high luminance requires more power and shortens the length of time available for use, so the battery capacity shown is lower.	Normal

#### PIXAPRO LTD.

Address: 50 Popes Lane, Oldbury, West-Midlands B69 4PA

Tel.: +44 (0)121 552 3113

Website: <http://www.essentialphoto.co.uk>

E-mail: [customerservice@essentialphoto.co.uk](mailto:customerservice@essentialphoto.co.uk)