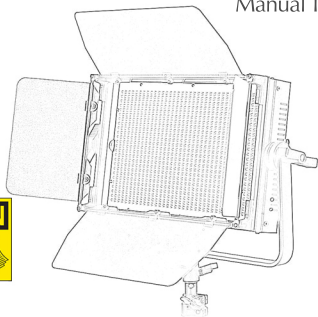



VNIX1000

Manual Instructions



Model	PIXAPRO VNIX LED1000S	PIXAPRO VNIX LED1000B
Power Output	64W	64W
Luminous Flux	7680lm	7680lm
Number LEDs	1040	1040
Colour Temperature	5600 ± 300K	3200-5600K
Beam Angle	45°	45°
CRI	≥95%	≥95%
Power Range	10-100%	10-100%
Remote	99 Channels 2.4GHz	99 Channels 2.4GHz
Remote Working Distance	>50m	>50m
LED Life	Approx. 50,000 Hours	Approx. 50,000 Hours
DMX Output	Yes	Yes
V-Mount Battery Plate	Yes	Yes
Voltage	DC19V 4.7A	DC15V 4A
Dimensions	330mm x 210mm x 48.5mm	330mm x 210mm x 48.5mm

 Please read these instructions carefully before using your device for the first time. It includes everything you need to know to avoid physical injuries and damages.

 Please pay attention to all safety notes in this instruction manual.

 Please keep this manual safe. In case of selling or leaving the device to other persons, please don't forget to hand this manual over as well.

A) Features	3
B) Safety precautions	3/4
C) Panel Diagram	4/5
D) Instructions	5/6
Switching the device on and off	
Cooling procedures	
Change of fuse	
Fixing stand to the head unit	
Adjust the angle and position of each light	
Transportation and storage	
Cleaning	
E) Trouble shooting	7



Important Information
PLEASE READ

A) Features

The VNIX1000 features 1040 premium LED bulbs with an output of 64W. The LED bulbs emit little heat and due to the design of panel it prevents the unit from overheating as it has a fast heat-dissipation, which effectively extends the lifespan of the light panel.

The dimmer knob on the light panel will allow you to control the brightness from 10%-100%. The bi-color panel will also allow to control the colour temperature (VNIX1000B ONLY). This unit also features an LED display, 2.4GHz wireless remote control and a v-lock batteries mount making it ideal for outdoor use

Here are the combination kits you can find from our shop:

Combination Kits	VNIX1000S	VNIX1000B
Single Unit	1x VNIX1000S LED Panel, 1x Diffusion Filter, 1x CTO Colour Correction Filter, 1x Power Cable, 1x Power Adapter, 1x Padded Carry Bag	1x VNIX1000B LED Panel, 1x Diffusion Filter, 1x Power Cable, 1x Power Adapter, 1x Padded Carry Bag
Twin Head Kit	2x VNIX1000S LED Panel, 2x Light Stands, 2x Diffusion Filter, 2x CTO Colour Correction Filter, 2x Power Cable, 2x Power Adapter, 2x Padded Carry Bag	2x VNIX1000B LED Panel, 2x Light Stands, 2x Diffusion Filter, 2x Power Cable, 2x Power Adapter, 2x Padded Carry Bag
Three Head Kit	3x VNIX1000S LED Panel, 3x Light Stands, 3x Diffusion Filter, 3x CTO Colour Correction Filter, 3x Power Cable, 3x Power Adapter, 3x Padded Carry Bag	3x VNIX1000B LED Panel, 3x Light Stands, 3x Diffusion Filter, 3x Power Cable, 3x Power Adapter, 3x Padded Carry Bag
Three Head Boom Kit	3x VNIX1000S LED Panel, 2x Light Stands, 1x Boom Stand, 3x Diffusion Filter, 3x CTO Colour Correction Filter, 3x Power Cable, 3x Power Adapter, 3x Padded Carry Bag	3x VNIX1000B LED Panel, 2x Light Stands, 1x Boom Stand, 3x Diffusion Filter, 3x Power Cable, 3x Power Adapter, 3x Padded Carry Bag

B) Safety precautions

- i. DO NOT attempt to repair your lighting equipment yourself.
- ii. DO NOT expose the equipment to sunlight, moisture, dust, any exposure to chemical solutions, gasoline, grease, oil, paint, or detergents can result in permanent damage to your equipment.

- iii. DO NOT insert any metal objects into your lighting equipment.
- iv. DO NOT place it in close distance to the eyes of persons or animals. Please ensure that the distance between persons and animals is at least 1m.
- v. DO NOT dismantle the head unit unless it is carried out by a qualified electrician.
- vi. Ensure the device is cooled down approximately 30 minutes before starting any mounting or maintenance arrangements.
- vii. Ensure the device is cooled down approximately 15 minutes for every hour of use.
- viii. ENSURE that the device is always positioned tilt and skid resistant and stored securely.
- ix. ENSURE the device is disconnected the power supply when the light is not in use and before mounting and maintenances.
- x. Please ENSURE the original cables are used.
- xi. In case of falling-off, please ENSURE the device is checked by qualified electrician before switching on again.
- xii. ENSURE all the inflammable materials are kept away from the devices.
- xiii. Please ENSURE bulbs are handled with care to avoid bursting.
- xiv. Please ENSURE the power supply is either AC220-240V 50HZ or AV110-120V 60HZ to ensure the light is working safely.
- xv. AVOID touching LED lights when mounting or charging accessories.

C) Panel Diagram



1. Power
2. Power Outlet
3. Dimmer
4. Digital Display
5. Colour Temperature Dimmer
6. V-lock Battery Mount

D) Instructions

Switch the device on and off

Turn on the device by pressing down the power button (1) on the light switch. It will take 30 -60 seconds until the LED bulbs reach maximum output.



Cooling procedures

Cooling procedures must be taken place when the device has undergone:

- 15 minutes cooling down period for every hour of use.

1. The device shall be cooled down for at least 15 minutes.
2. During cooling procedures, you **MUST ENSURE** the unit has been switched off.



Change of fuse

Danger of electric shock and fire through short circuit. A 5A 250V fuse shall be used.

1. Switch off device (see Switch on and off of device)
2. Disconnect from power supply by unplugging power cord.
3. With a screwdriver, unscrew the screws on the plug head to open it.
4. Carefully open the plug and prise the fuse out with a screwdriver.
5. Place the new fuse in the fuse holder.


Fixing Stand to Head Unit

Firstly, unscrew the knob at bottom of the yoke bracket completely, then sit the light unit on the stand, and then screw it back on to lock it


Adjust the angle and position of each head unit


Unscrew the knob at the side of the yoke bracket to loosen the unit and adjust to required angle/position, then screw the knob to secure its position.

Transportation and storage

1. Switch off device (see Switch on and off device) and disconnect the power supply by unplugging power cord.
2. Cool down the device completely.
-  Fire hazard due to hot parts.
3. Clean the device as necessary.
4. Put the device and all demounted elements into anti-shock packing and carry and store them at cool and dry place.

Cleaning

 Posterior danger of damaging LED bulbs, so you **MUST ENSURE** not to touch the bulbs with bare hands.

 Danger of electric shock, so you **MUST** ensure the power supply is disconnected during cleaning and you **MUST AVOID** contact with moisture and water.

E) Trouble Shooting

Problem	Possible Reason	Remedy
The device is switched on but has no function	Power cord is not plugged in or plugged in correctly	Plug in power cord in correctly, ensure power cord is correctly plugged in the power adapter
	Fuse is defective	Change fuse, see Change of Fuse (Page 5)
Battery does not work	Does not meet requirements	The unit will require a v-lock battery of 10A/14.8V We recommend using our BP130 V-Lock battery with the unit as this has been tested.
Dimmer is not working	DMX Function is on	Turn the DMX function off in order to use the dimmer on the back of the unit.

PiXAPRO

50 Popes Lane, Oldbury,

West Midlands, B69 4PA

0121 552 3113

customerservices@essentialphoto.co.uk